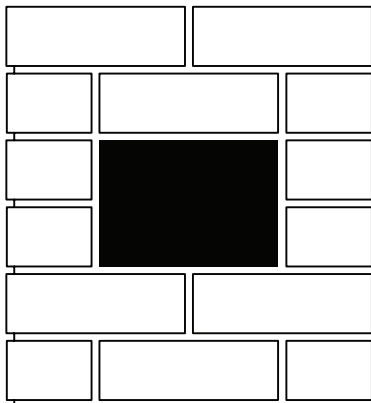
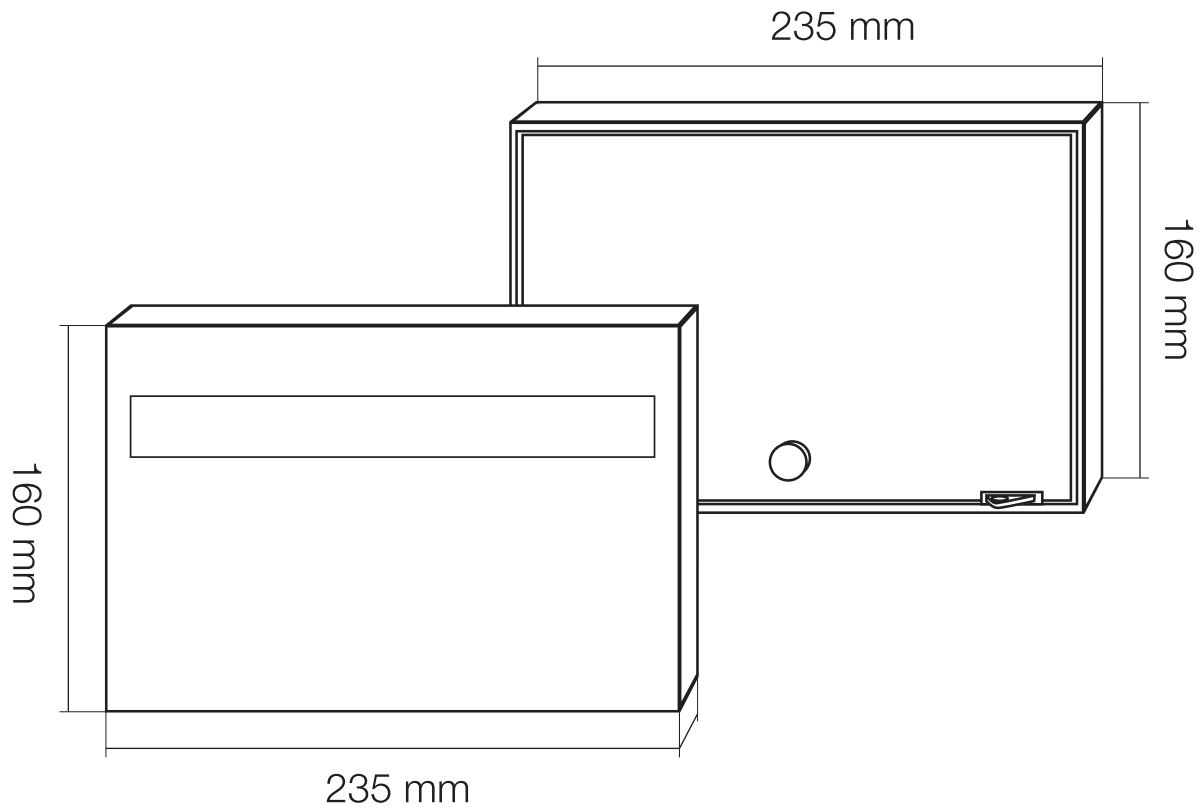


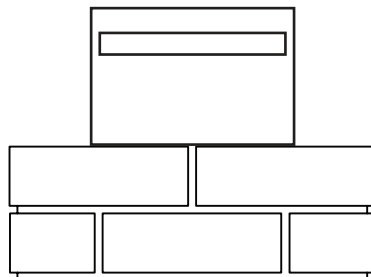
Budget

A4 Rear Opening Front & Back

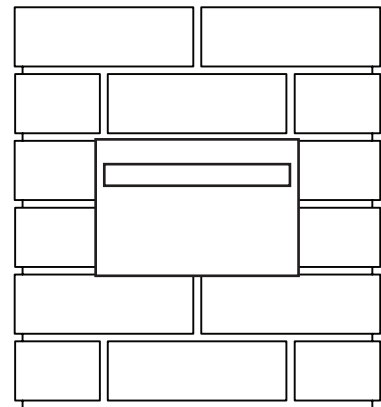
Instructions



**SLEEVE FITS INTO
1 BRICK WIDE BY
2 BRICK HIGH CAVITY**



Build up brickwork to
desired height and set
letterbox in place

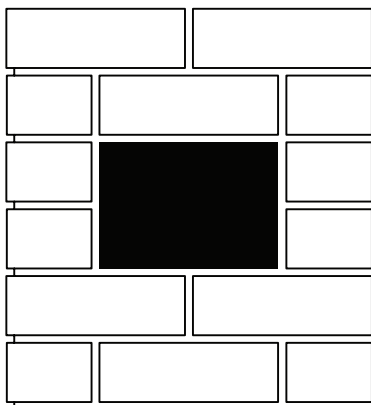
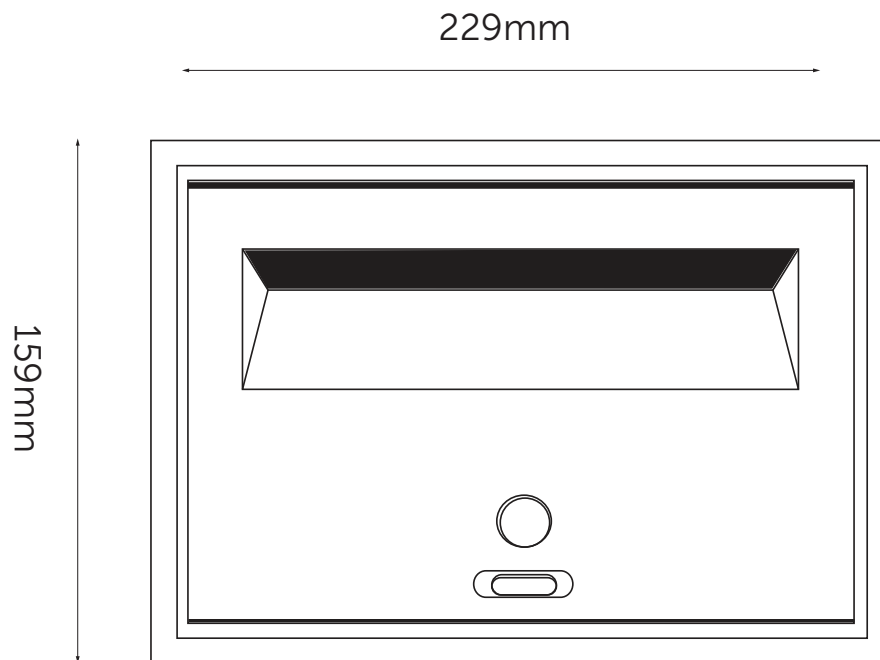


Complete remaining
brickwork

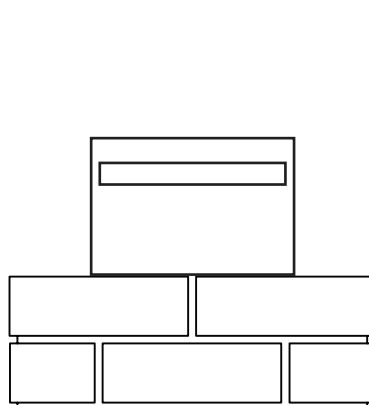
Lazio

A4 Rear Opening Front

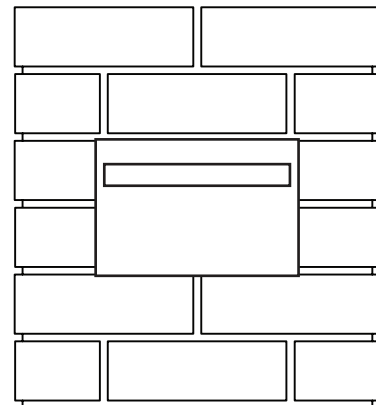
Instructions



**SLEEVE FITS INTO
1 BRICK WIDE BY
2 BRICK HIGH CAVITY**



Build up brickwork to
desired height and set
letterbox in place

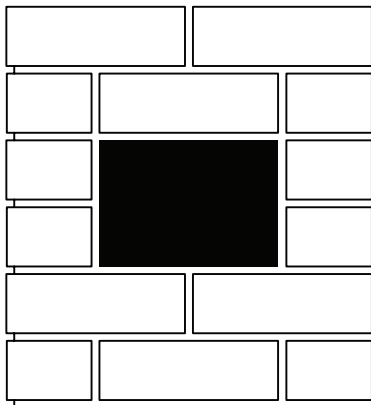
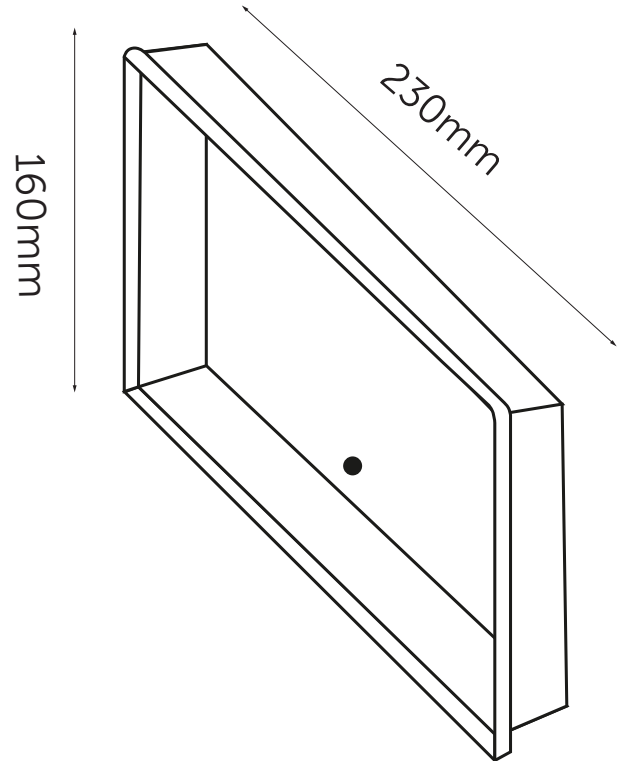
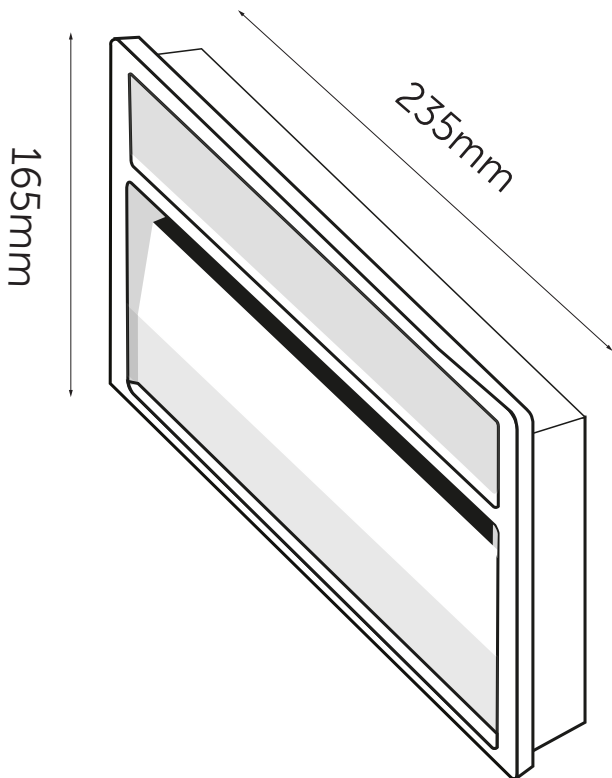


Complete remaining
brickwork

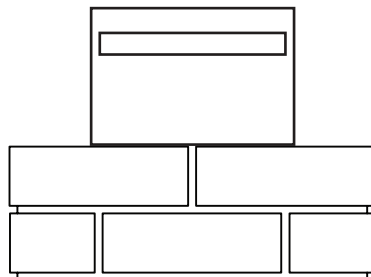
Lazio

A4 Rear Opening Front & Back

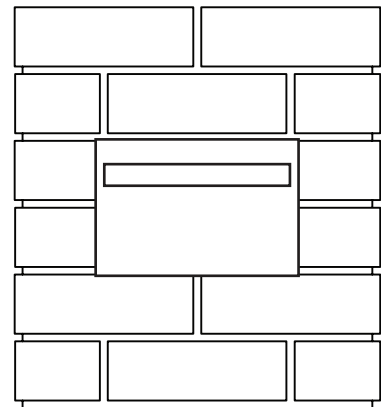
Instructions



**SLEEVE FITS INTO
1 BRICK WIDE BY
2 BRICK HIGH CAVITY**



**Build up brickwork to
desired height and set
letterbox in place**

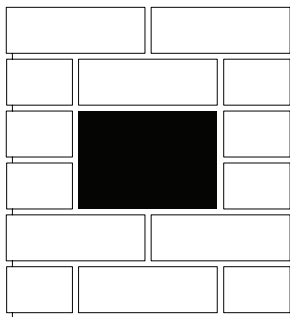
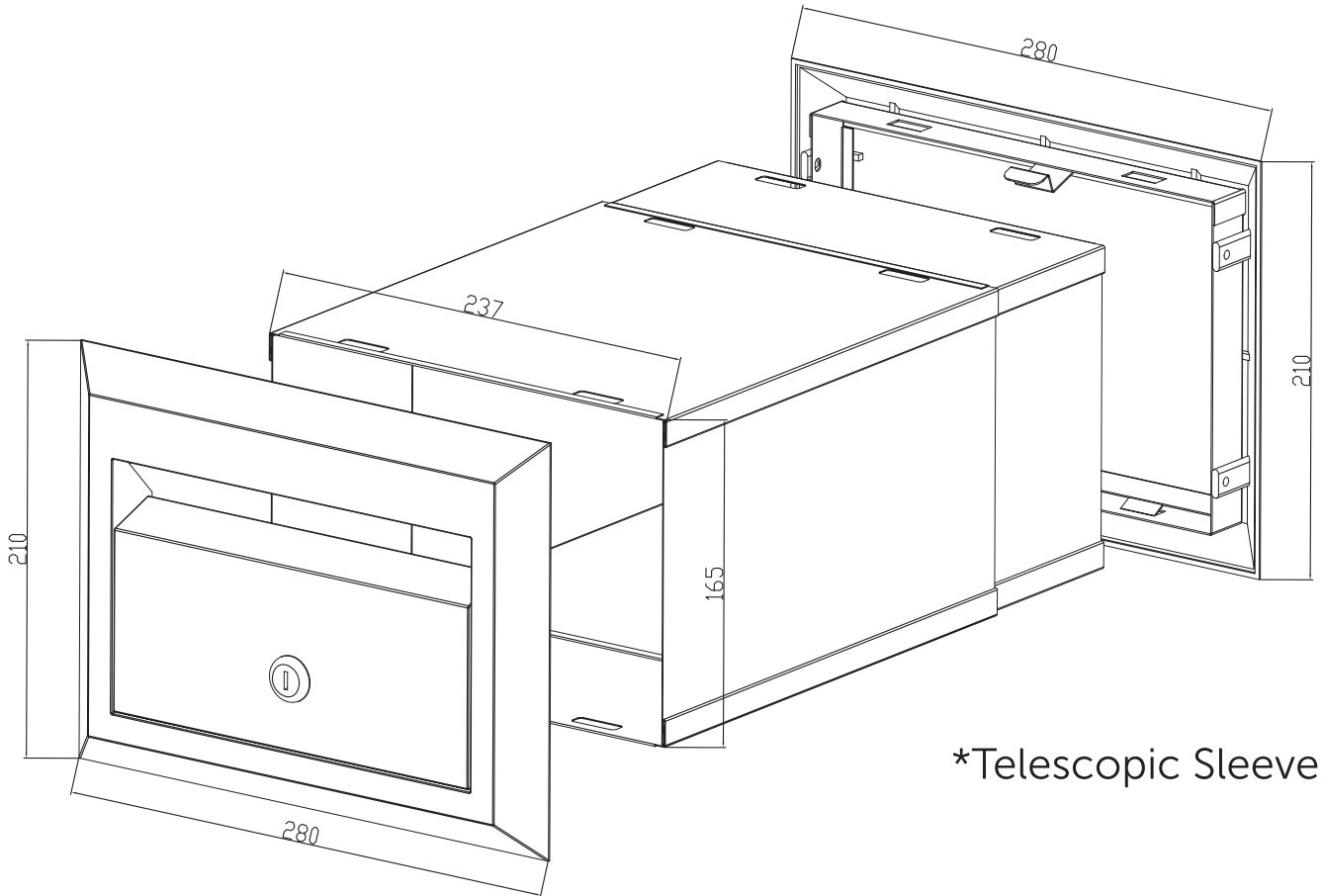


**Complete remaining
brickwork**

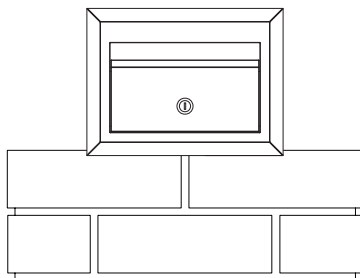
Brickies

A4 Front Opening Set

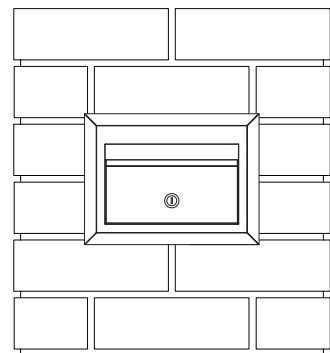
Instructions



**SLEEVE FITS INTO
1 BRICK WIDE BY
2 BRICK HIGH CAVITY**



Build up brickwork to
desired height and set
letterbox in place

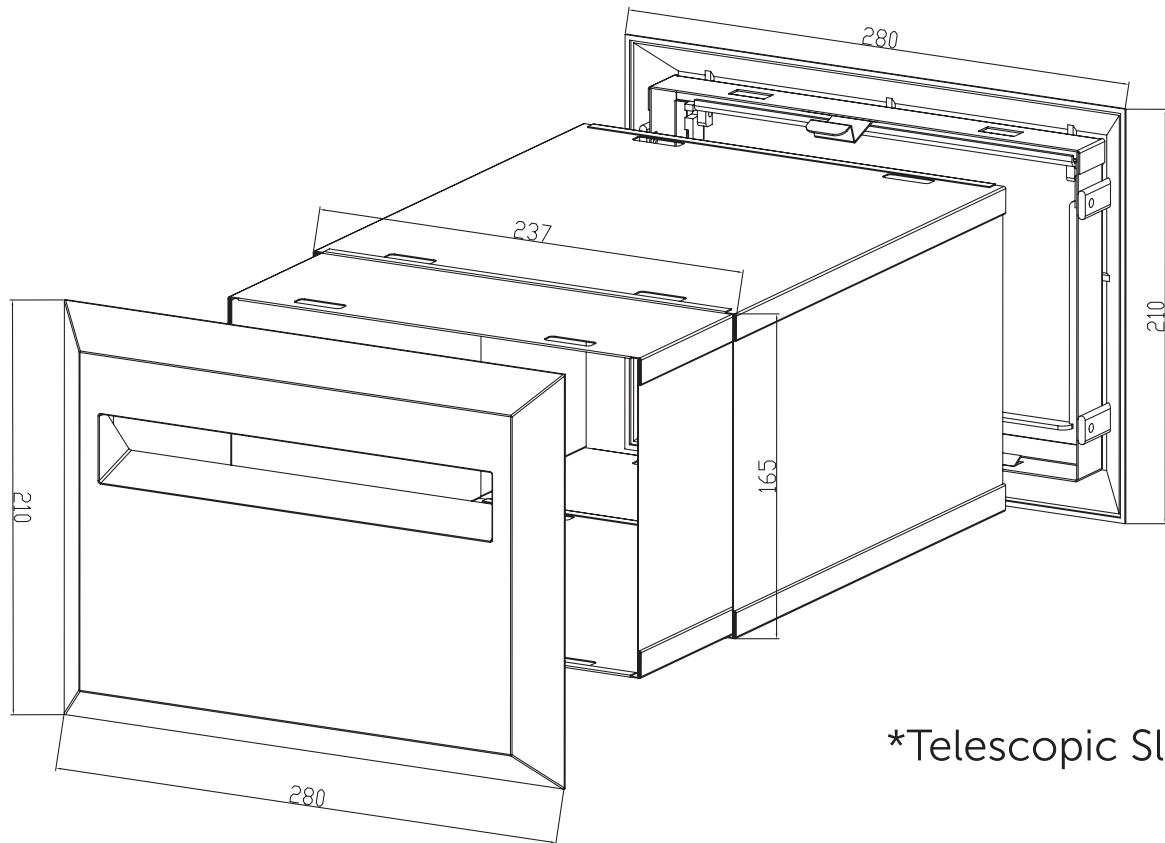


Complete remaining
brickwork

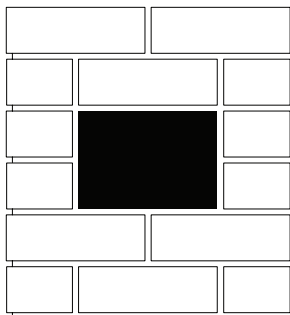
Brickies

A4 Rear Opening Set

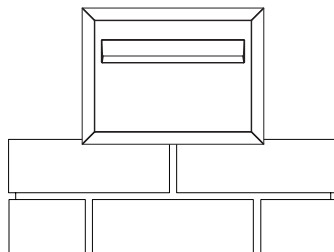
Instructions



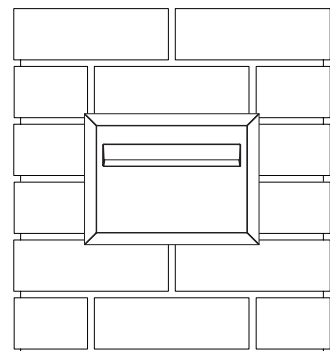
*Telescopic Sleeve



**SLEEVE FITS INTO
1 BRICK WIDE BY
2 BRICK HIGH CAVITY**



Build up brickwork to
desired height and set
letterbox in place

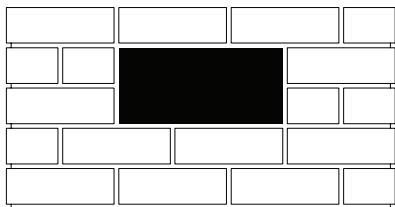
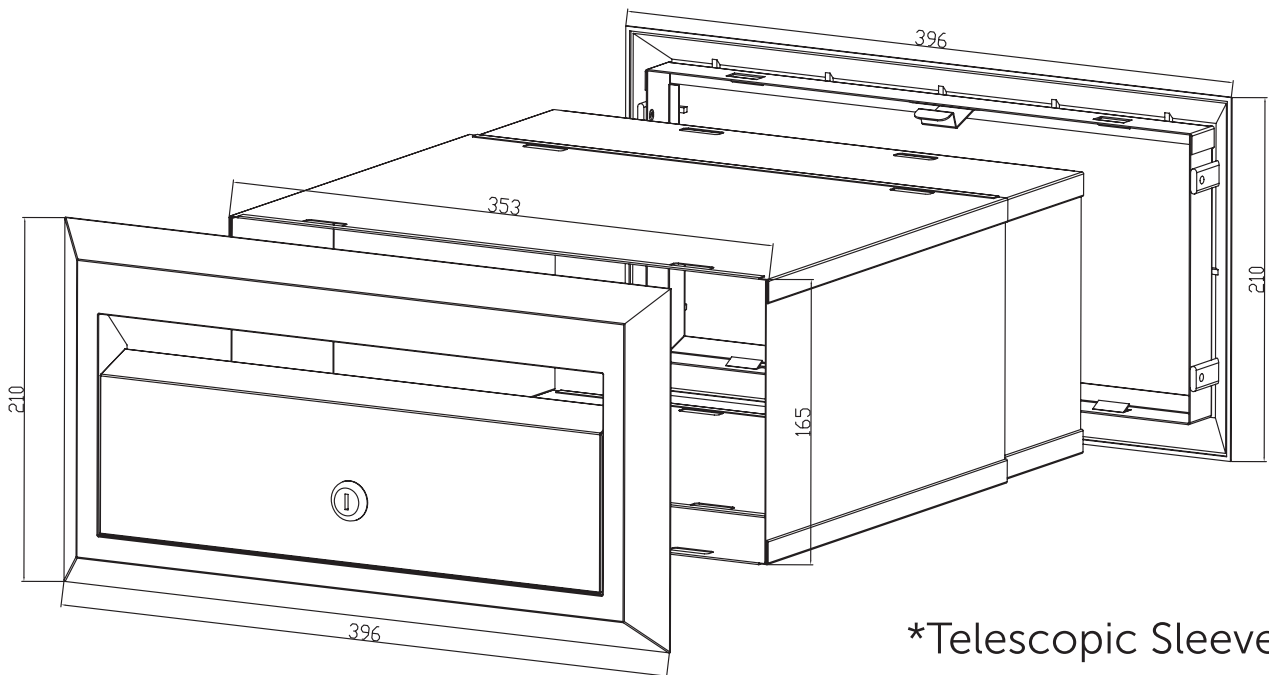


Complete remaining
brickwork

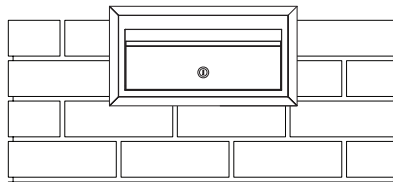
Brickies

A4 Front Opening Set

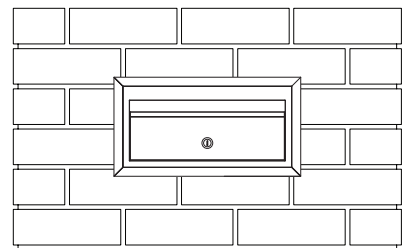
Instructions



**SLEEVE FITS INTO
1.5 BRICK WIDE BY
2 BRICK HIGH CAVITY**



Build up brickwork to
desired height and set
letterbox in place

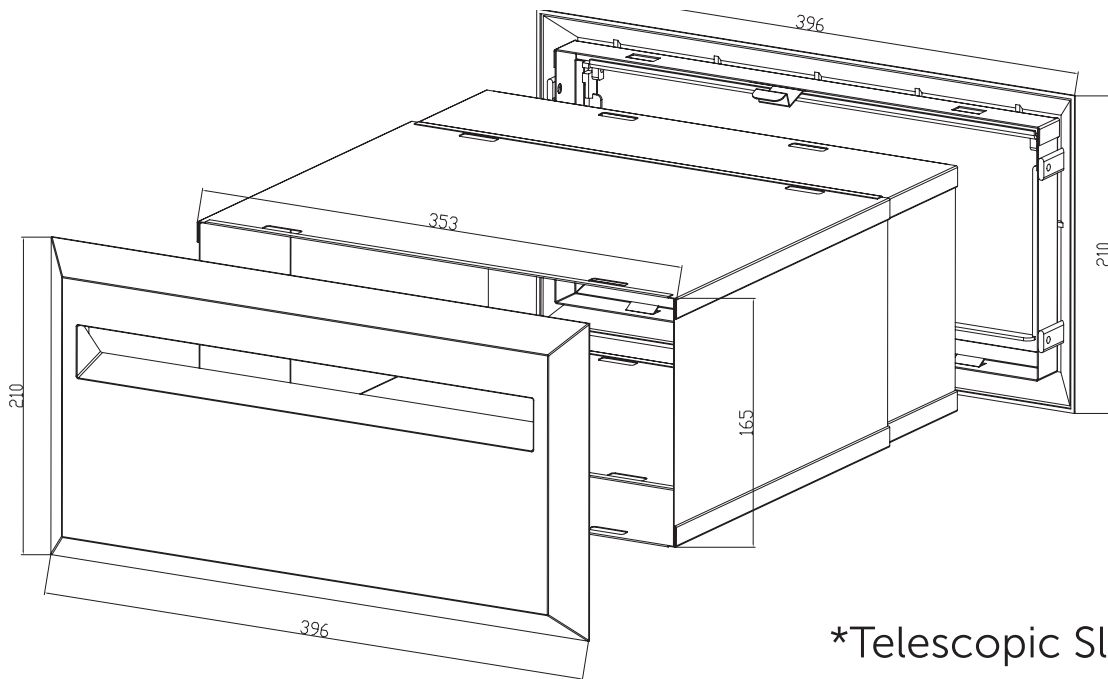


Complete remaining
brickwork

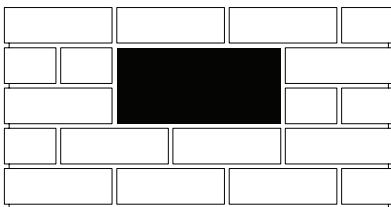
Brickies

A4 Rear Opening Set

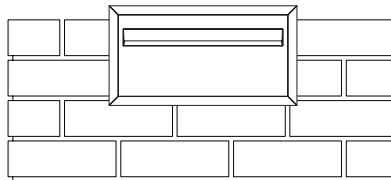
Instructions



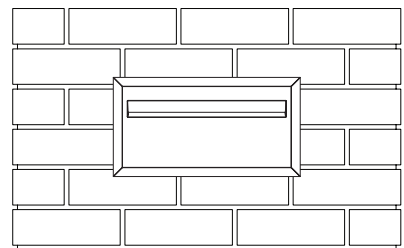
*Telescopic Sleeve



**SLEEVE FITS INTO
1.5 BRICK WIDE BY
2 BRICK HIGH CAVITY**



Build up brickwork to
desired height and set
letterbox in place

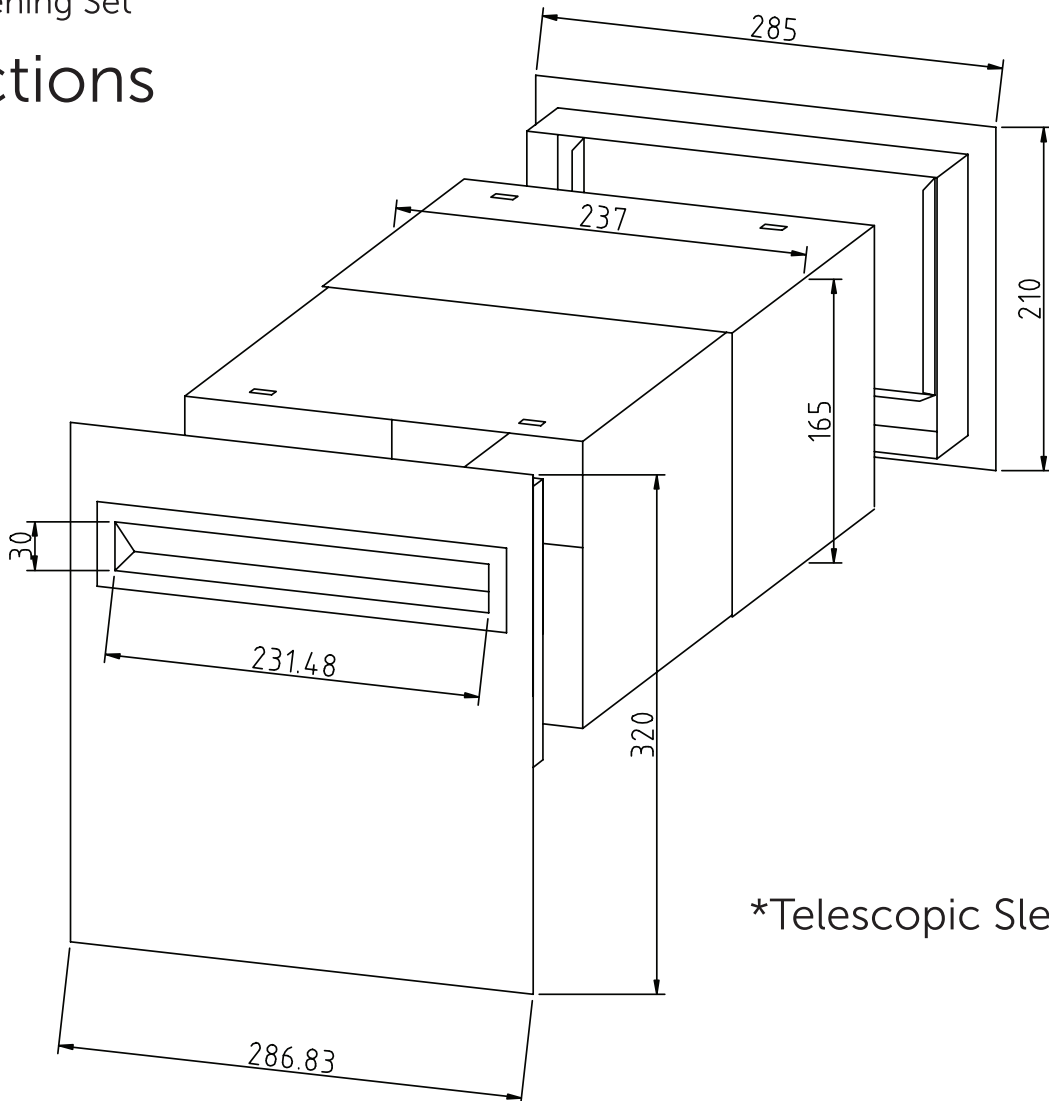


Complete remaining
brickwork

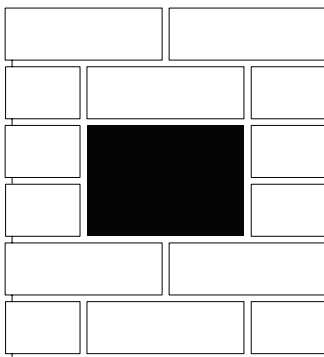
Frontier

A4 Rear Opening Set

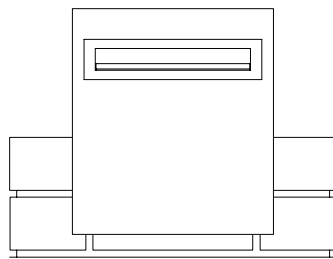
Instructions



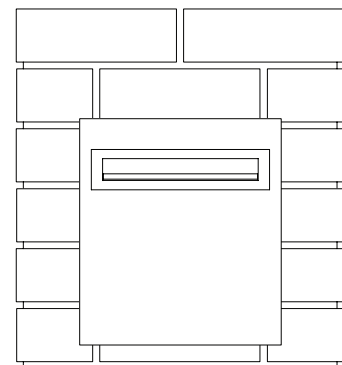
*Telescopic Sleeve



**SLEEVE FITS INTO
1 BRICK WIDE BY
2 BRICK HIGH CAVITY**



Build up brickwork to
desired height and set
letterbox in place

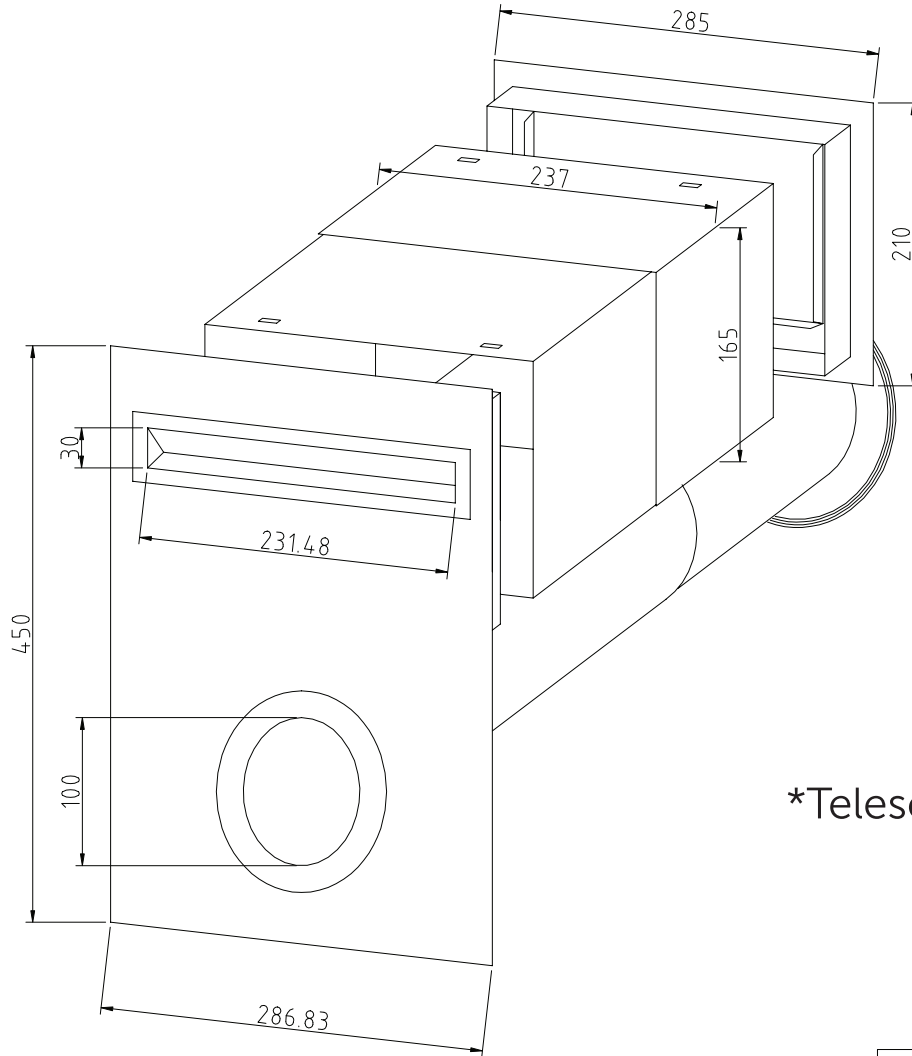


Complete remaining
brickwork

Frontier

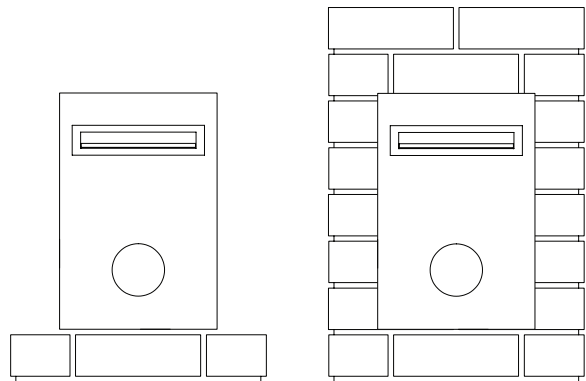
A4 Rear Opening Set

Instructions



*Telescopic Sleeve

NOTE: MEASURE THE DISTANCE FROM SLEEVE TO RING IN ORDER TO FIT SLEEVE INTO NORMAL BRICK COURSE



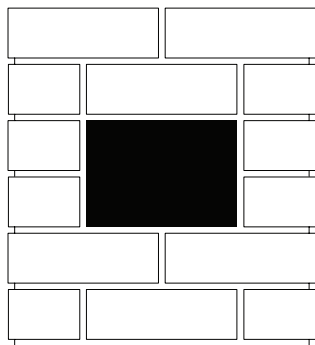
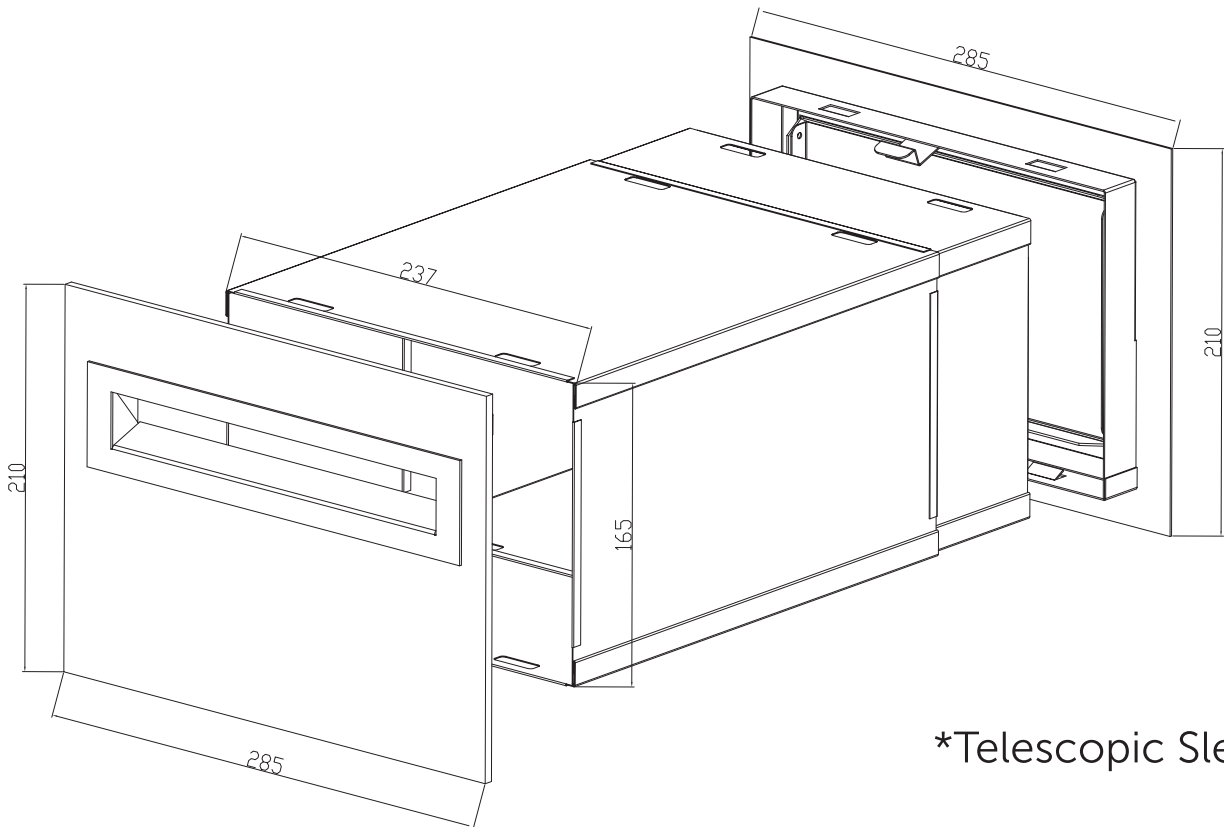
Build up brickwork to desired height and set mail tube in place

Complete remaining brickwork

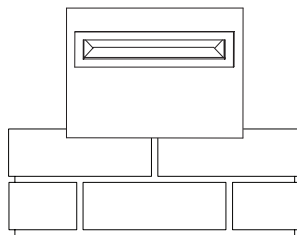
Chalice

A4 Rear Opening Set

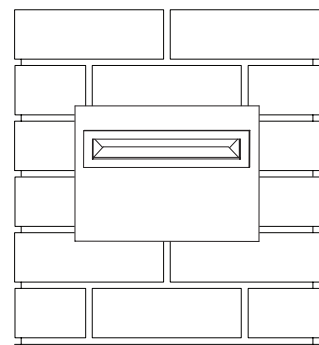
Instructions



**SLEEVE FITS INTO
1 BRICK WIDE BY 2
BRICK HIGH CAVITY**



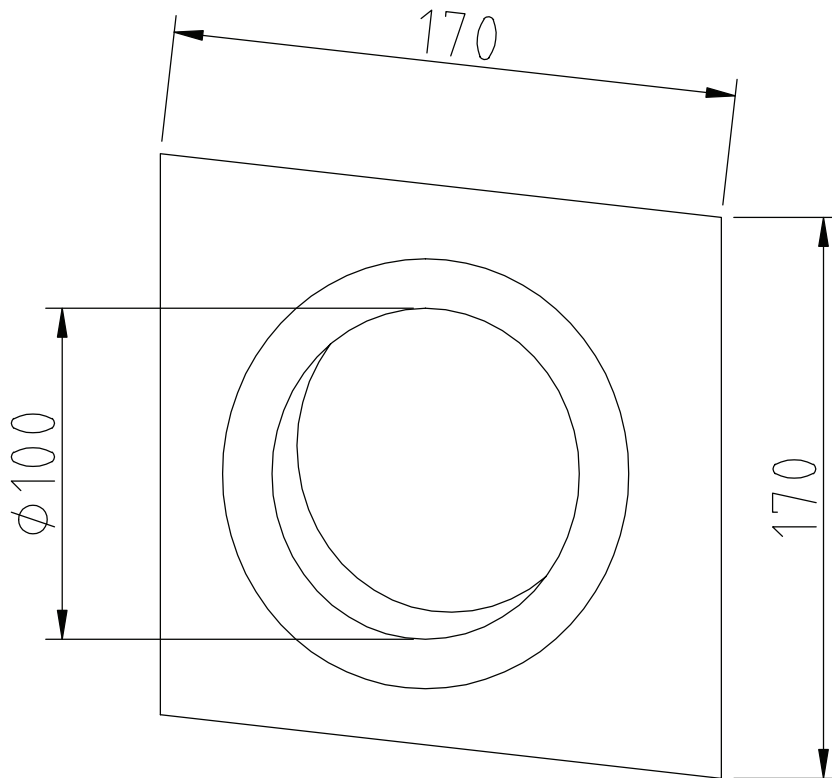
**Build up brickwork to
desired height and set
letterbox in place**



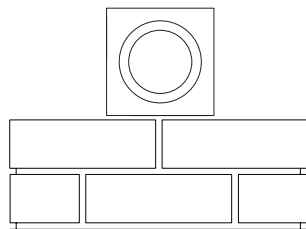
**Complete remaining
brickwork**

Newspaper Ring Square

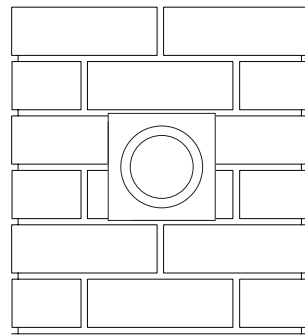
Instructions



Cut a piece of 100mm PVC Pipe to the desired length. Slide the PVC pipe over the paper ring. Secure and seal with silicone or similar adhesive.



Build up brick work to desired height and set paper ring in place

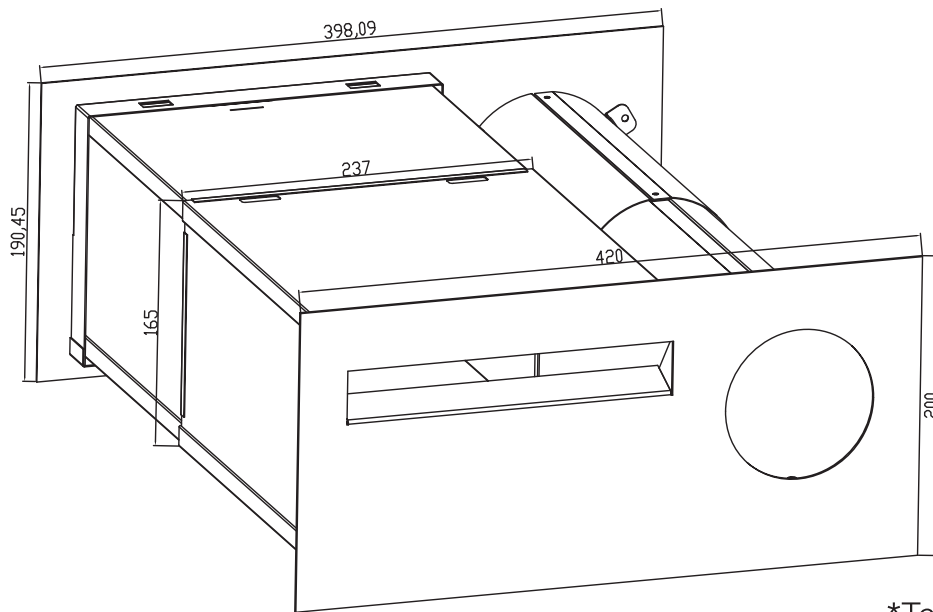


Complete remaining brickwork

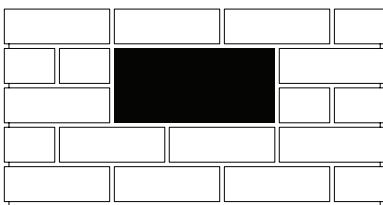
Junction

A4 Rear Opening Set

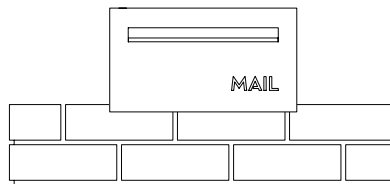
Instructions



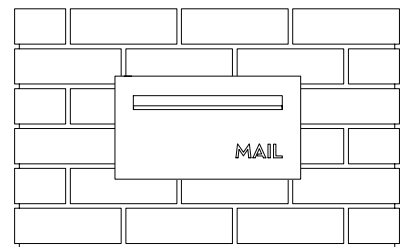
*Telescopic Sleeve & Tube



**SLEEVE FITS INTO 1.5 BRICK
WIDE BY 2 BRICK HIGH CAVITY**



Build up brickwork to desired
height and set letterbox in place

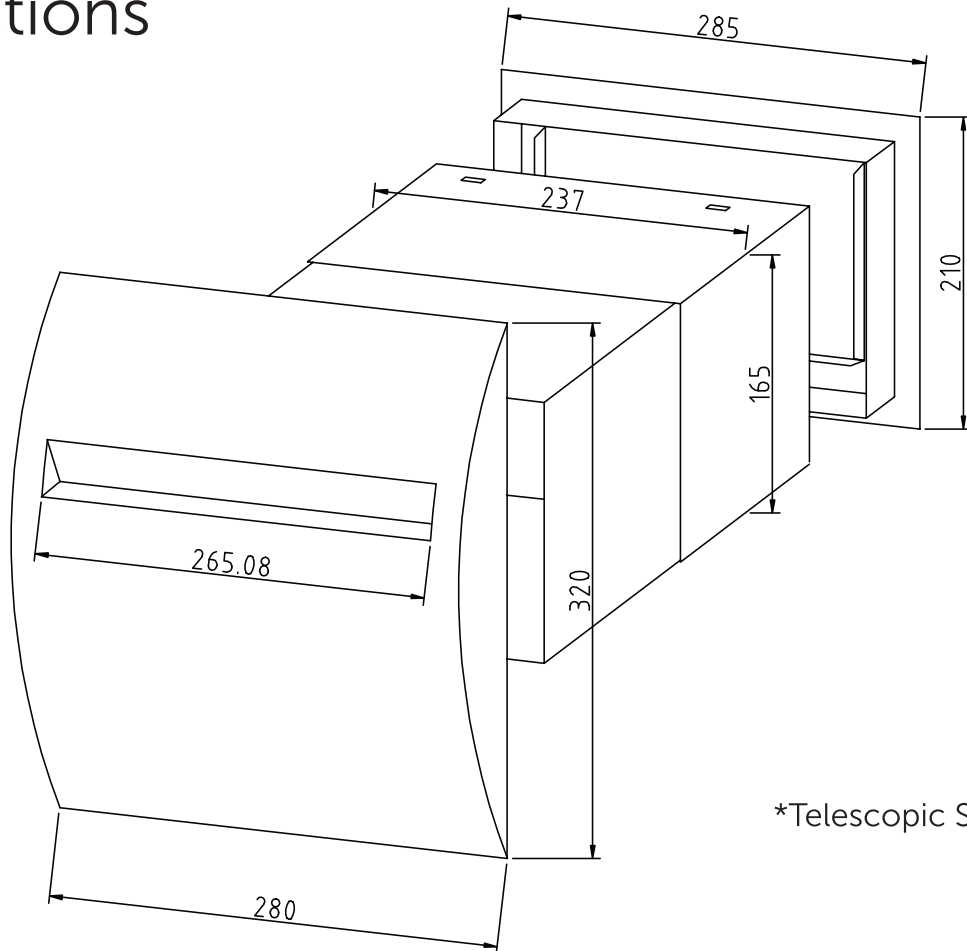


Complete remaining brickwork

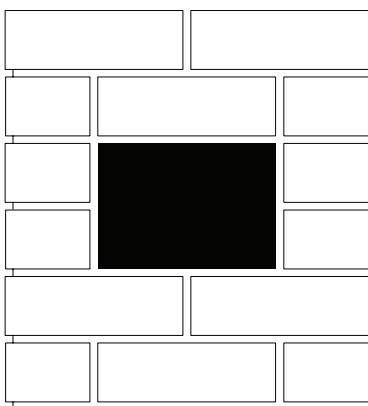
Sparta

A4 Rear Opening Set

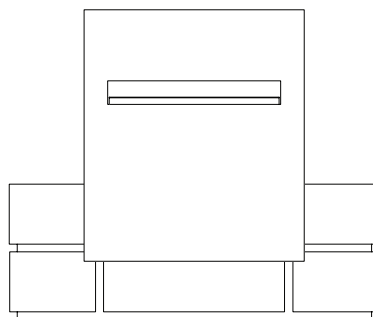
Instructions



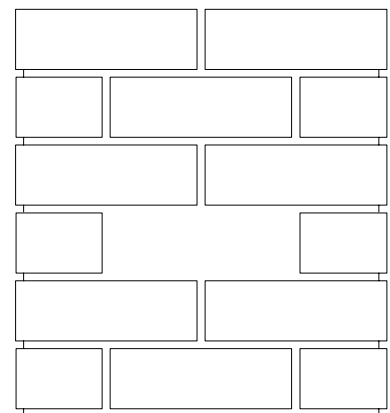
*Telescopic Sleeve



**SLEEVE FITS INTO
1 BRICK WIDE BY
2 BRICK HIGH CAVITY**



**Build up brickwork to
desired height and set
letterbox in place**

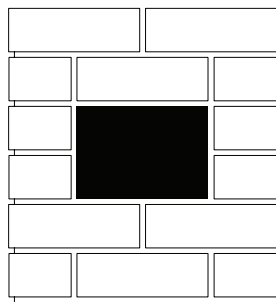
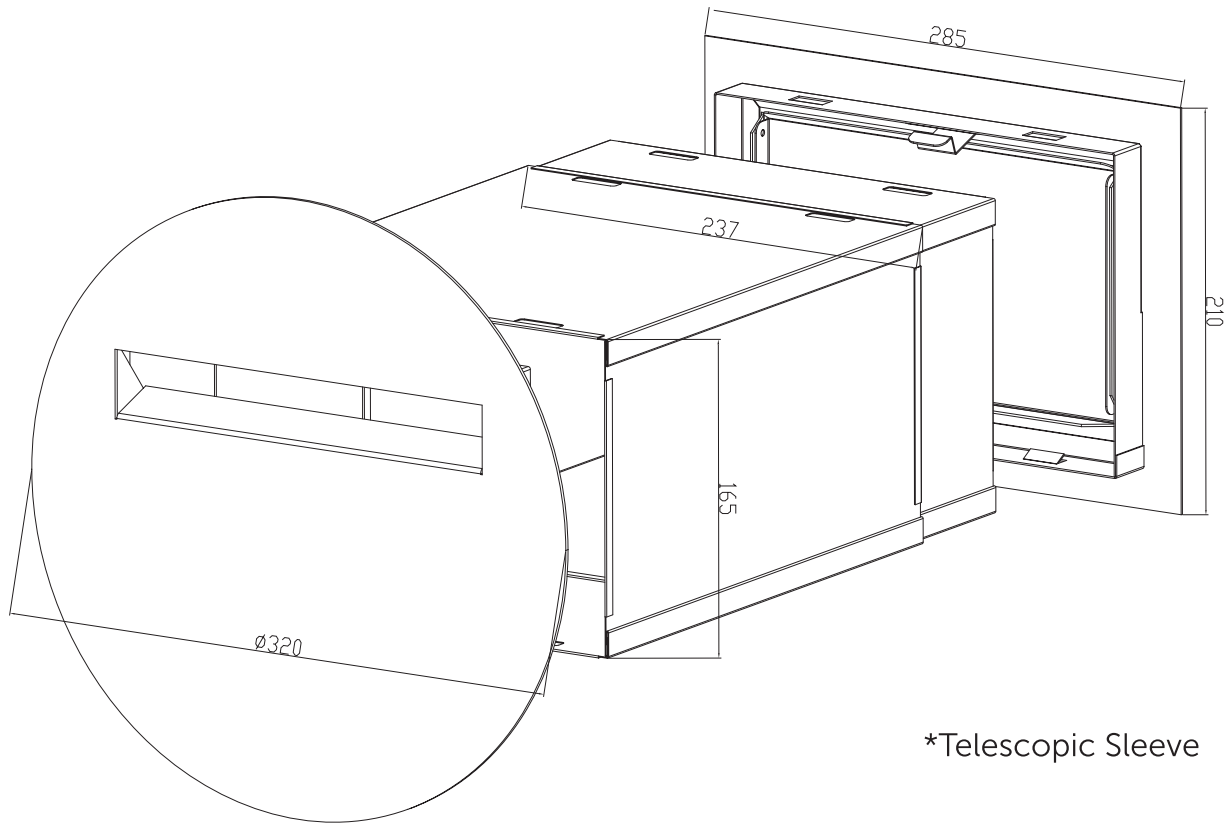


**Complete remaining
brickwork**

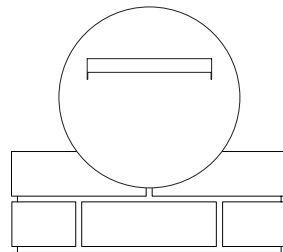
Halo

A4 Rear Opening Set

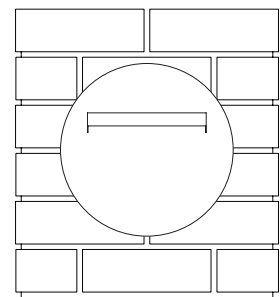
Instructions



**SLEEVE FITS INTO
1 BRICK WIDE BY
2 BRICK HIGH CAVITY**



**1. Build up brickwork to
desired height and set
letterbox in place**

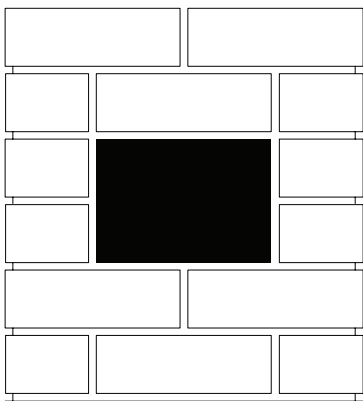
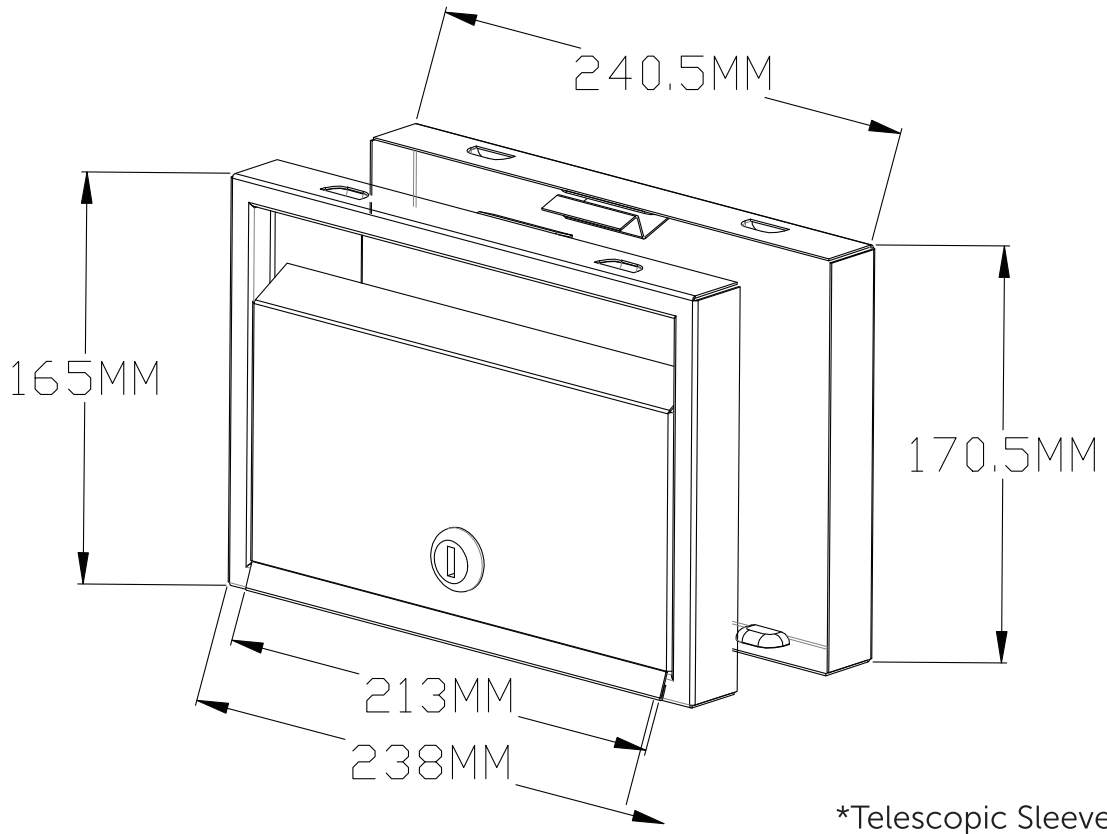


**2. Complete remaining
brickwork**

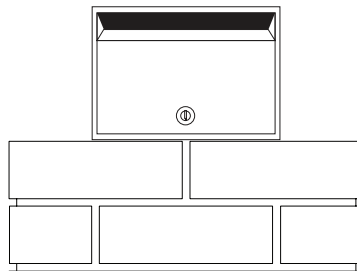
Allora

A4 Front Opening Set

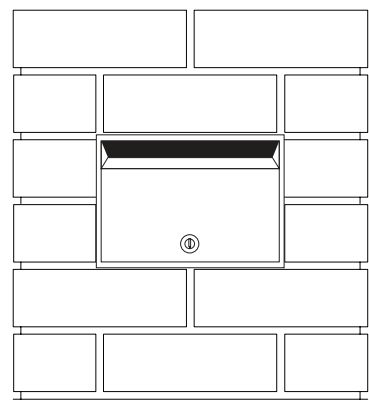
Instructions



**SLEEVE FITS INTO
1 BRICK WIDE BY 2
BRICK HIGH CAVITY**



Build up brickwork to
desired height and set
letterbox in place

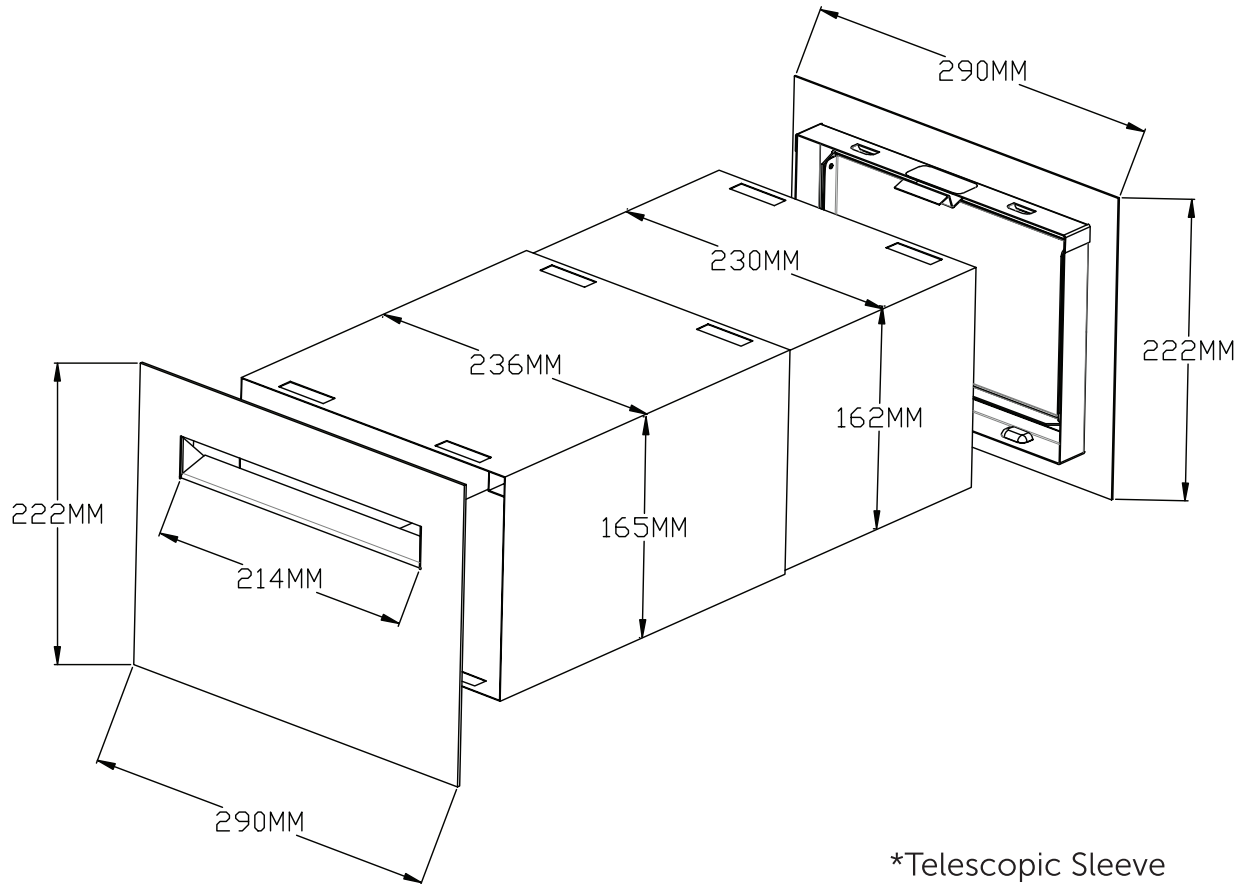


Complete remaining
brickwork

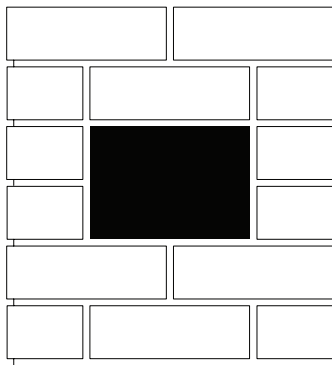
Jet

A4 Rear Opening Set

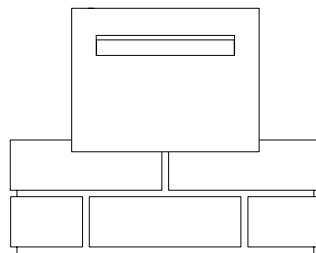
Instructions



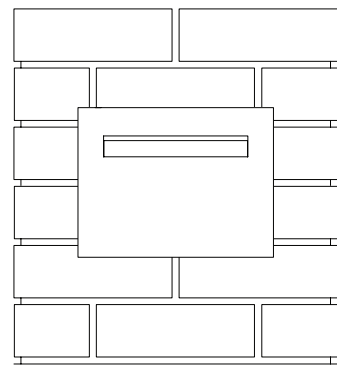
*Telescopic Sleeve



**SLEEVE FITS INTO
1 BRICK WIDE BY 2
BRICK HIGH CAVITY**



Build up brickwork to
desired height and set
letterbox in place

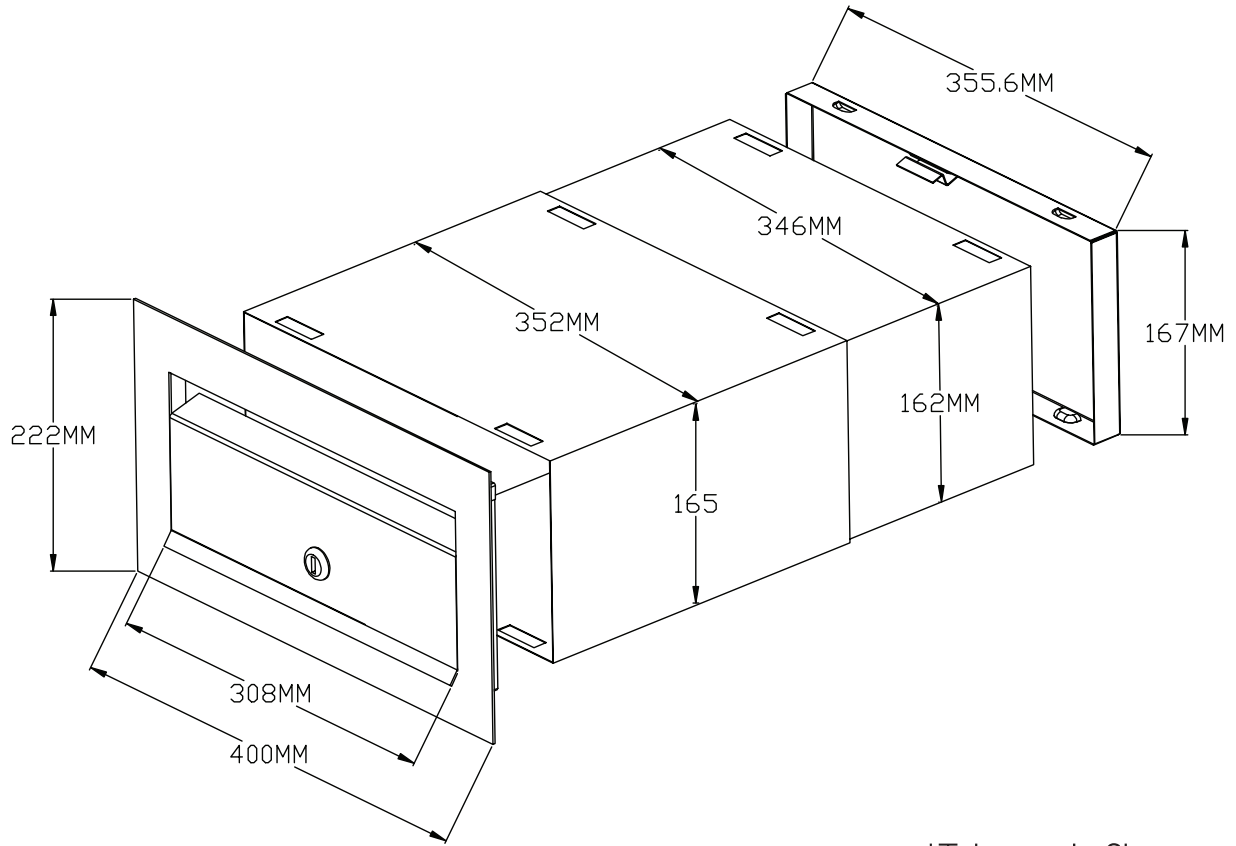


Complete remaining
brickwork

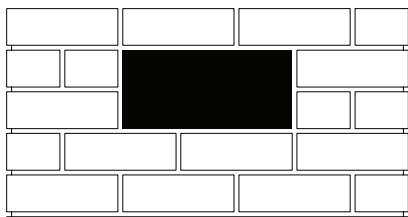
Lunar

A4 Front Opening Set

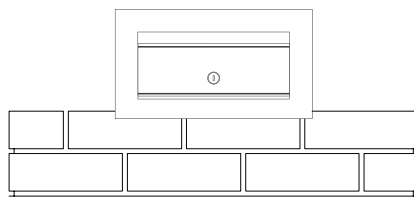
Instructions



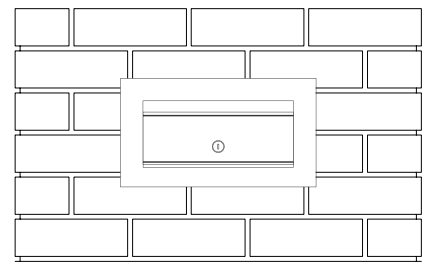
*Telescopic Sleeve



SLEEVE FITS INTO 1.5 BRICK WIDE BY 2 BRICK HIGH CAVITY



Build up brickwork to desired height and set letterbox in place

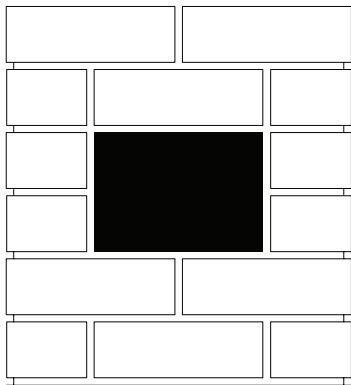
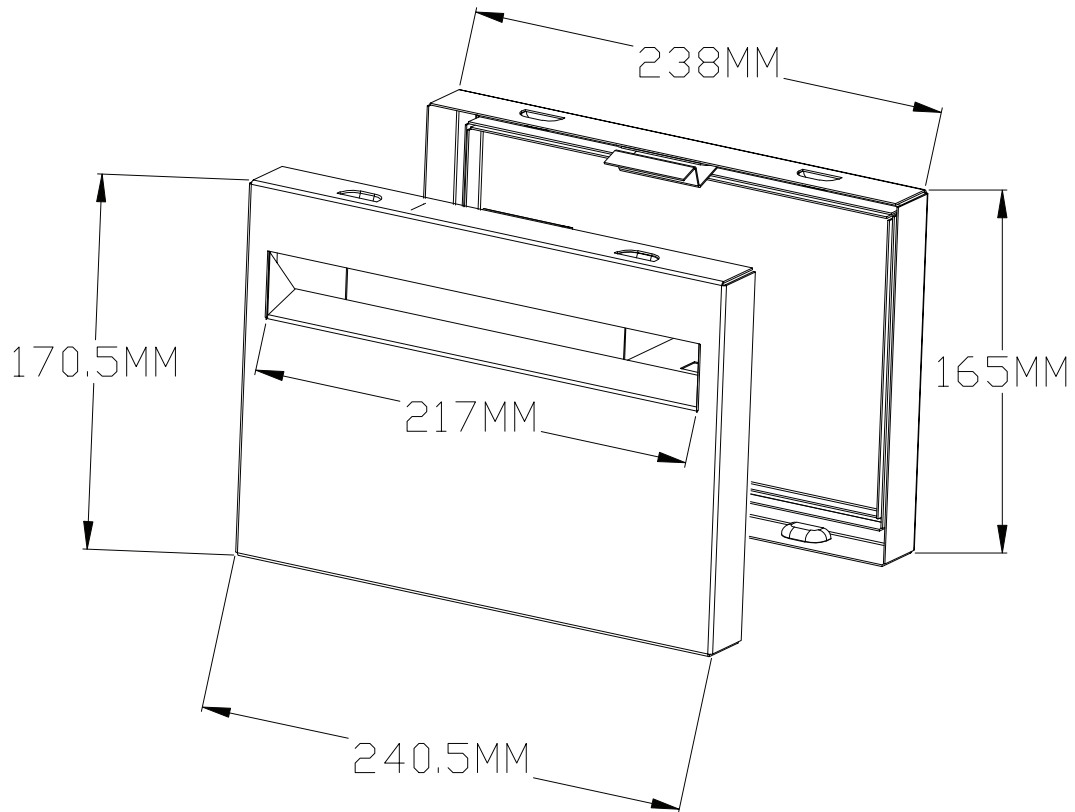


Complete remaining brickwork

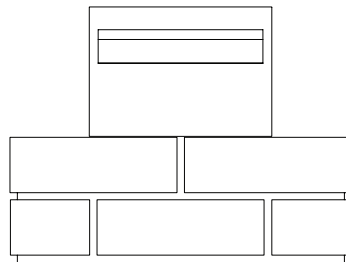
Allora

A4 Rear Opening Set

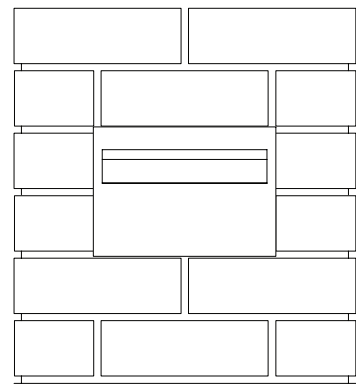
Instructions



**SLEEVE FITS INTO
1 BRICK WIDE BY 2
BRICK HIGH CAVITY**



**Build up brickwork to
desired height and set
letterbox in place**

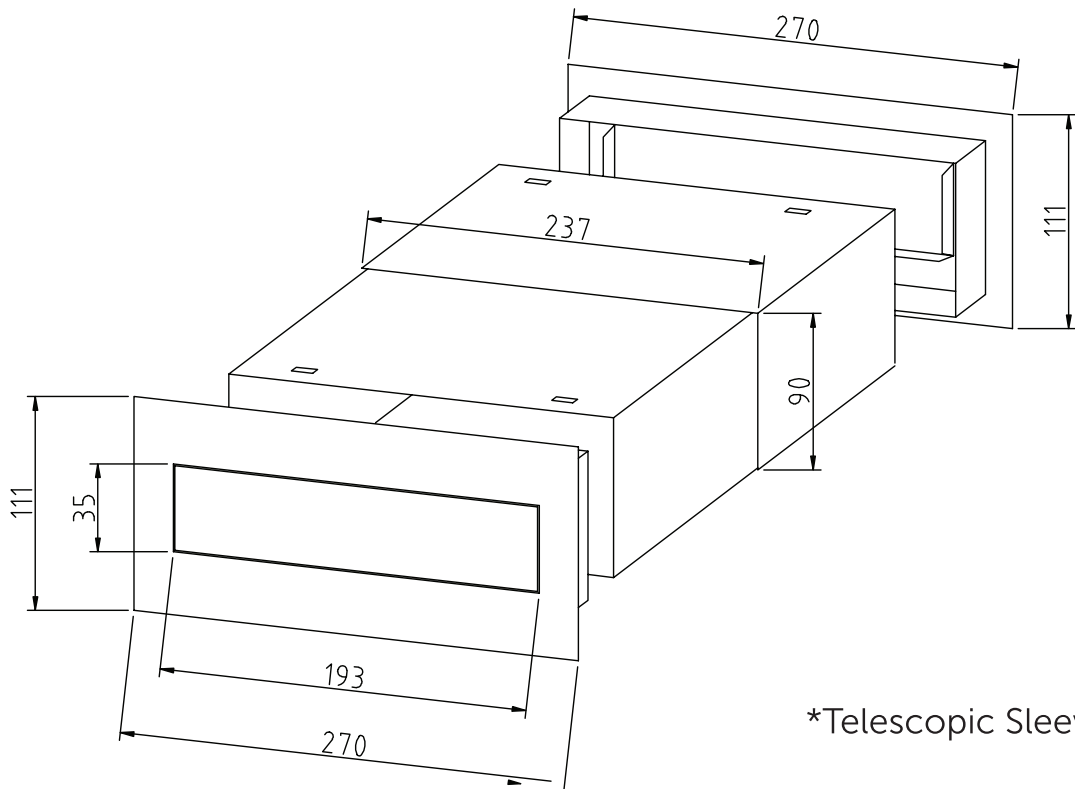


**Complete remaining
brickwork**

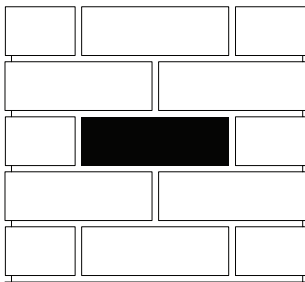
Horizon

Letterplate

Instructions



*Telescopic Sleeve



**SLEEVE FITS INTO
1 BRICK WIDE BY 1
BRICK HIGH CAVITY**

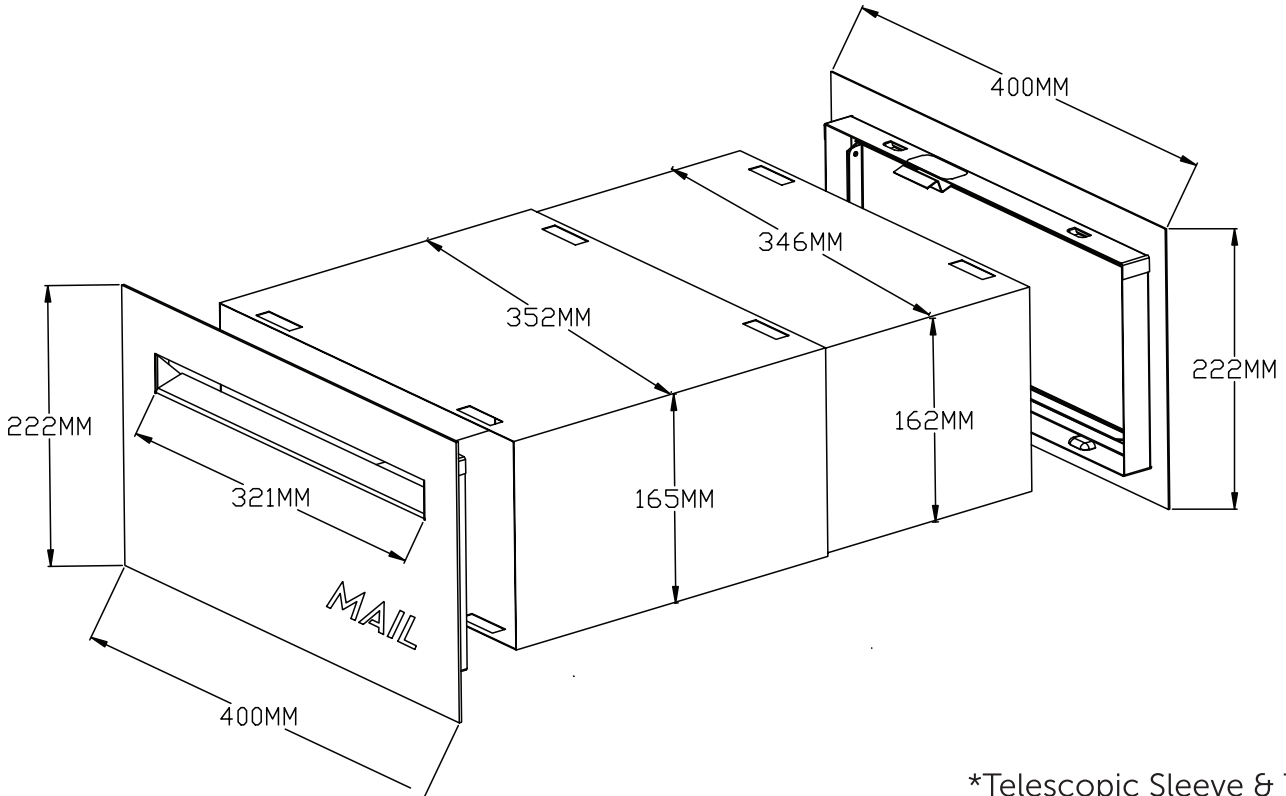
Build up brickwork to
desired height and set
letterbox in place.

Complete remaining
brickwork.

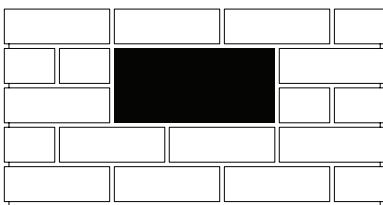
Astro

A4 Rear Opening Set

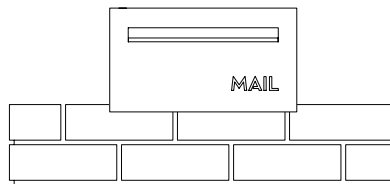
Instructions



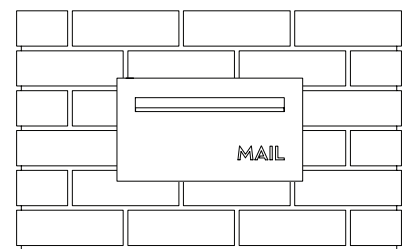
*Telescopic Sleeve & Tube



**SLEEVE FITS INTO 1.5 BRICK
WIDE BY 2 BRICK HIGH CAVITY**



Build up brickwork to desired
height and set letterbox in place

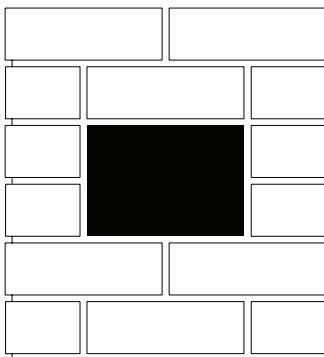
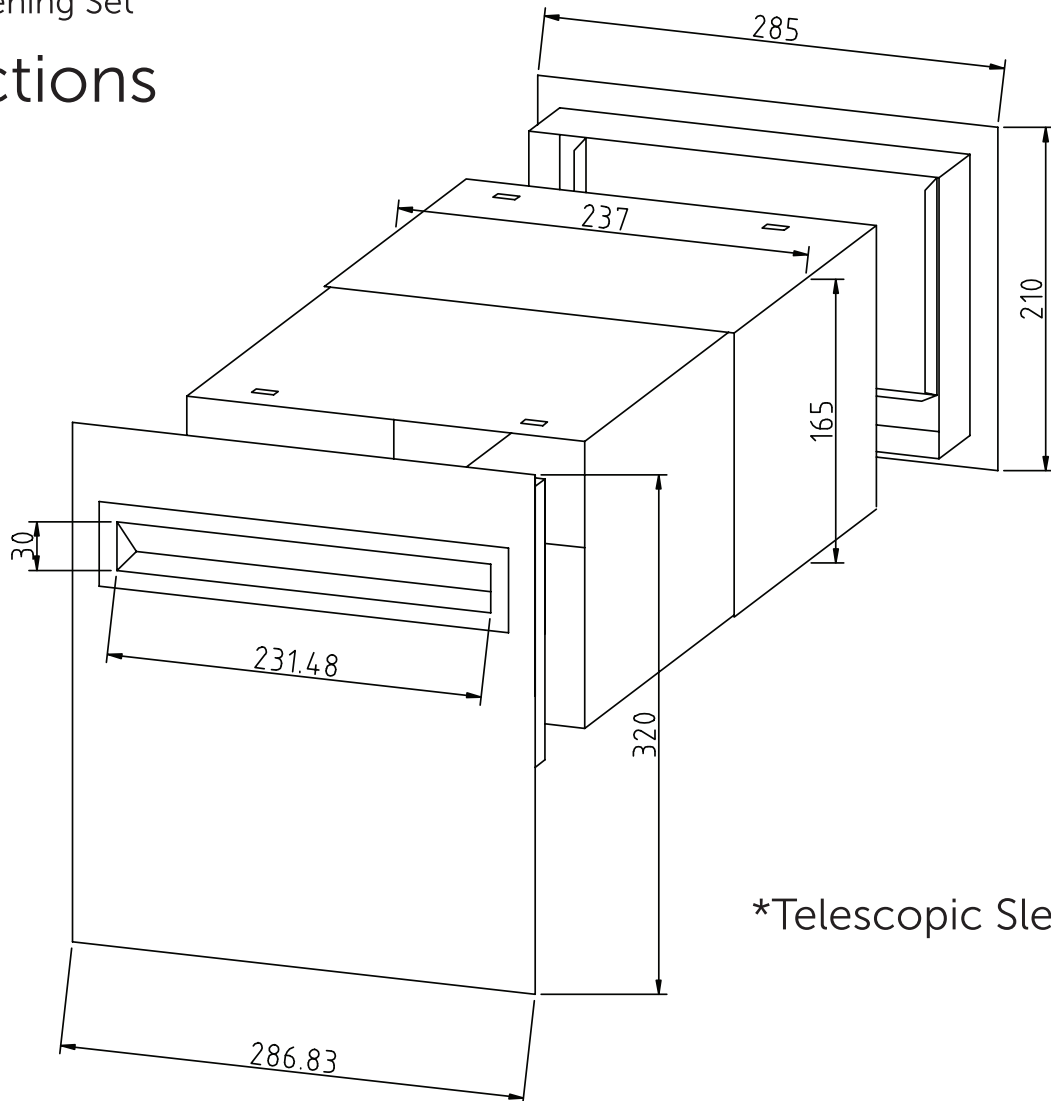


Complete remaining brickwork

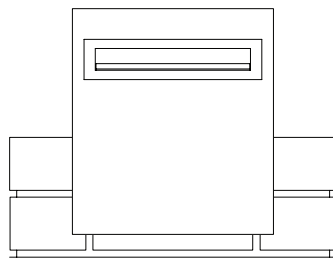
Vista

A4 Rear Opening Set

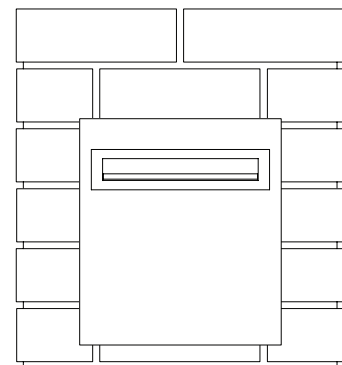
Instructions



**SLEEVE FITS INTO
1 BRICK WIDE BY
2 BRICK HIGH CAVITY**



**Build up brickwork to
desired height and set
letterbox in place**

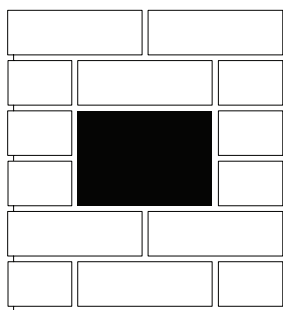
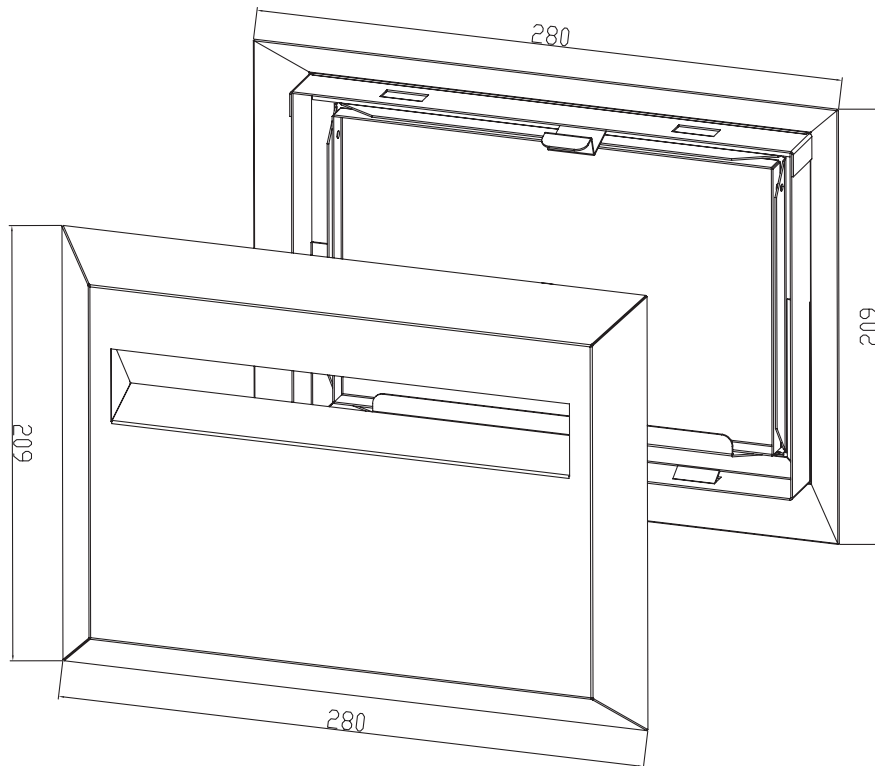


**Complete remaining
brickwork**

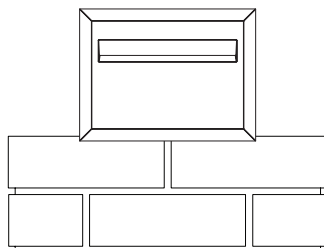
Brickies

A4 Rear Opening Set

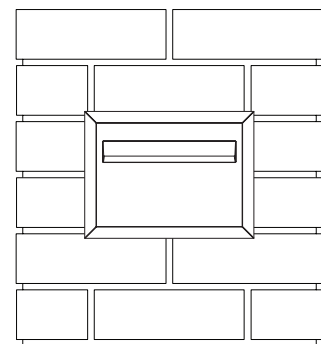
Instructions



**SLEEVE FITS INTO
1 BRICK WIDE BY
2 BRICK HIGH CAVITY**



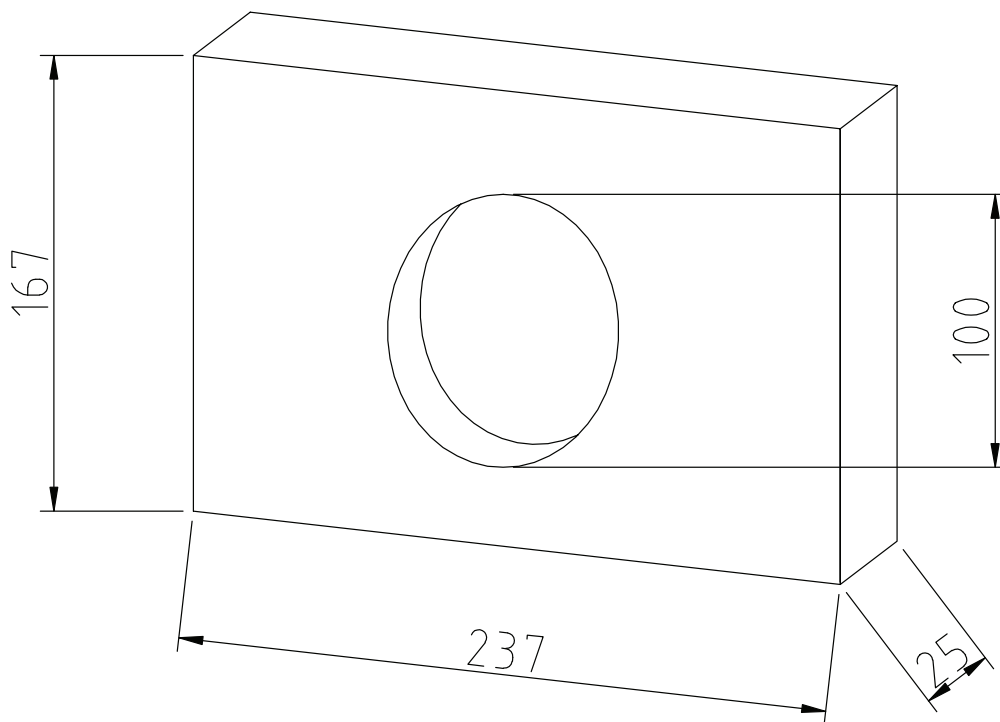
Build up brickwork to
desired height and set
letterbox in place



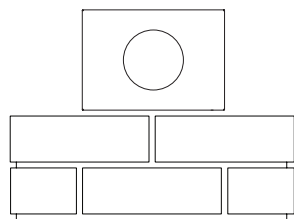
Complete remaining
brickwork

Newspaper Ring Rectangle

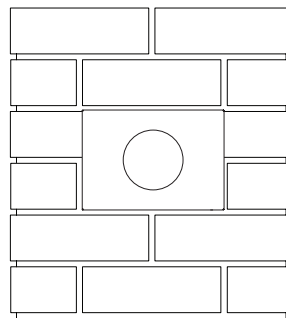
Instructions



Cut a piece of 100mm PVC Pipe to the desired length. Slide the PVC pipe over the paper ring. Secure and seal with silicone or similar adhesive.



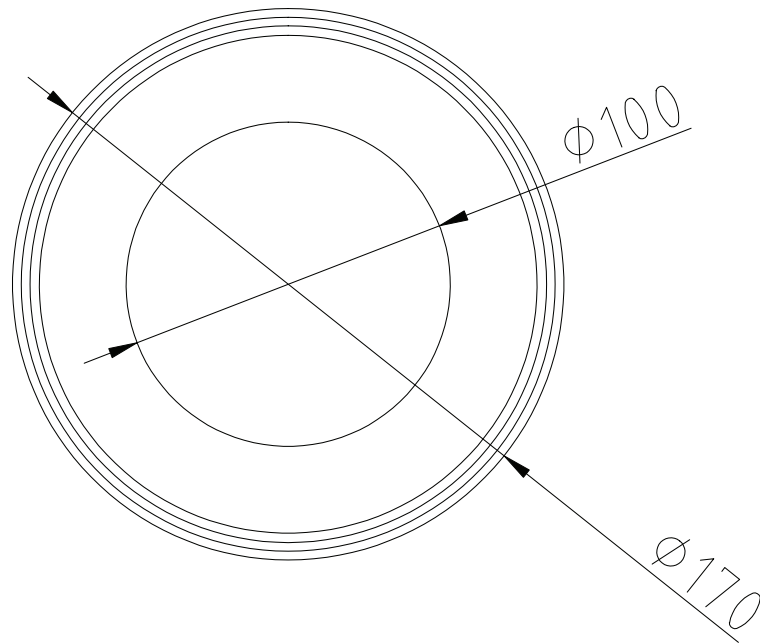
Build up brick work to desired height and set paper ring in place



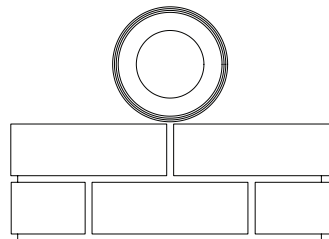
Complete remaining brickwork

Newspaper Ring

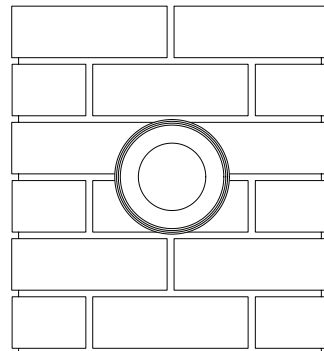
Instructions



Cut a piece of 100mm PVC Pipe to the desired length. Slide the PVC pipe over the paper ring. Secure and seal with silicone or similar adhesive.



Build up brick work to desired height and set paper ring in place

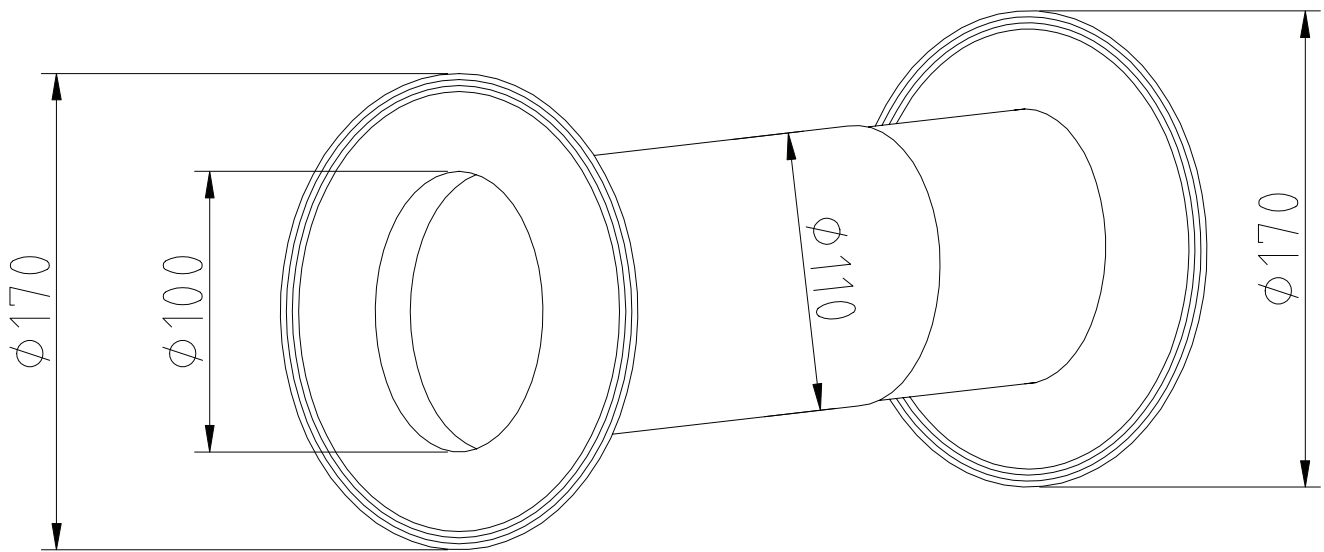


Complete remaining brickwork

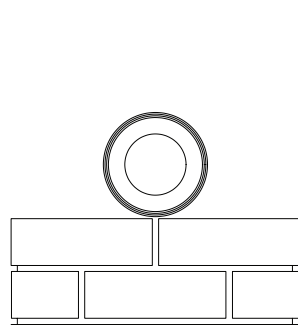
Newspaper Ring

Front & Back Set

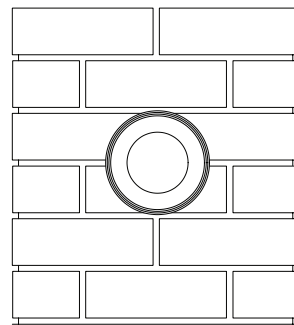
Instructions



*Telescopic Sleeve



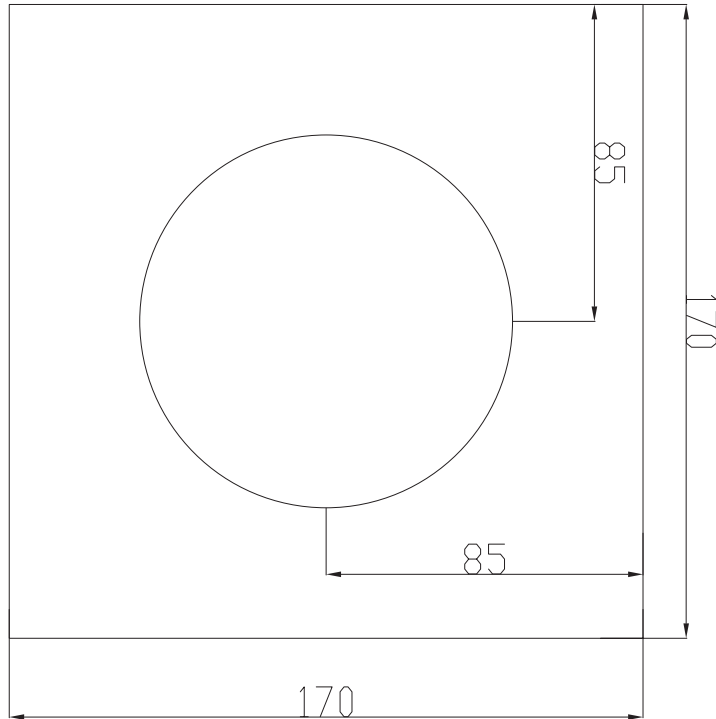
Build up brick work to desired height and set paper ring in place



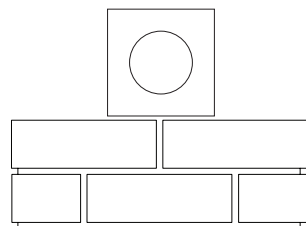
Complete remaining brickwork

Newspaper Ring Square

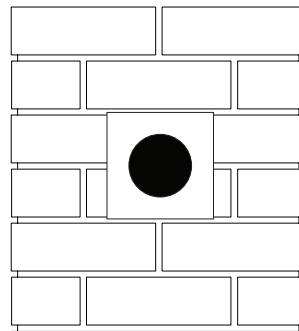
Instructions



Cut a piece of 100mm PVC Pipe to the desired length. Slide the PVC pipe over the paper ring. Secure and seal with silicone or similar adhesive.



Build up brick work to desired height and set paper ring in place

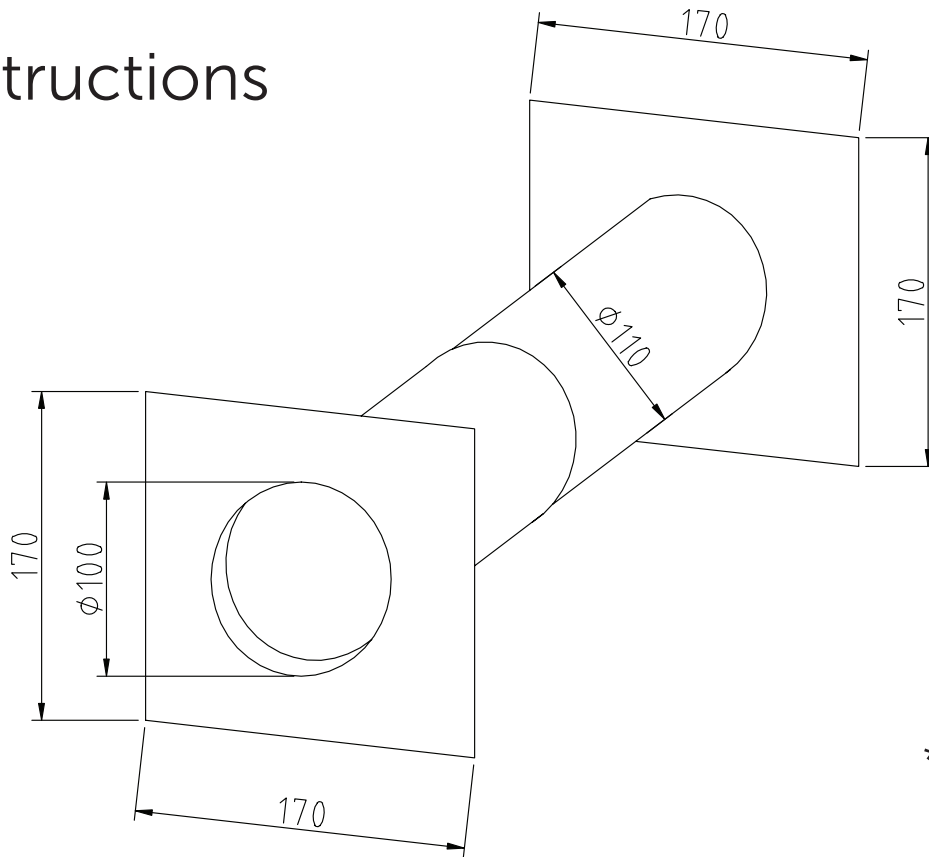


Complete remaining brickwork

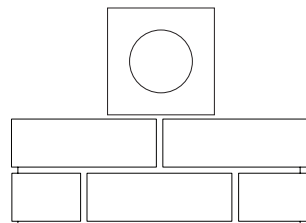
Newspaper Ring Square

Front & Back Set

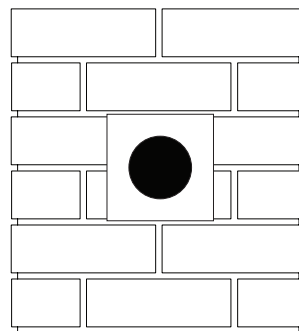
Instructions



*Telescopic Tube



Build up brick work
to desired height
and set paper ring
in place



Complete remaining
brickwork